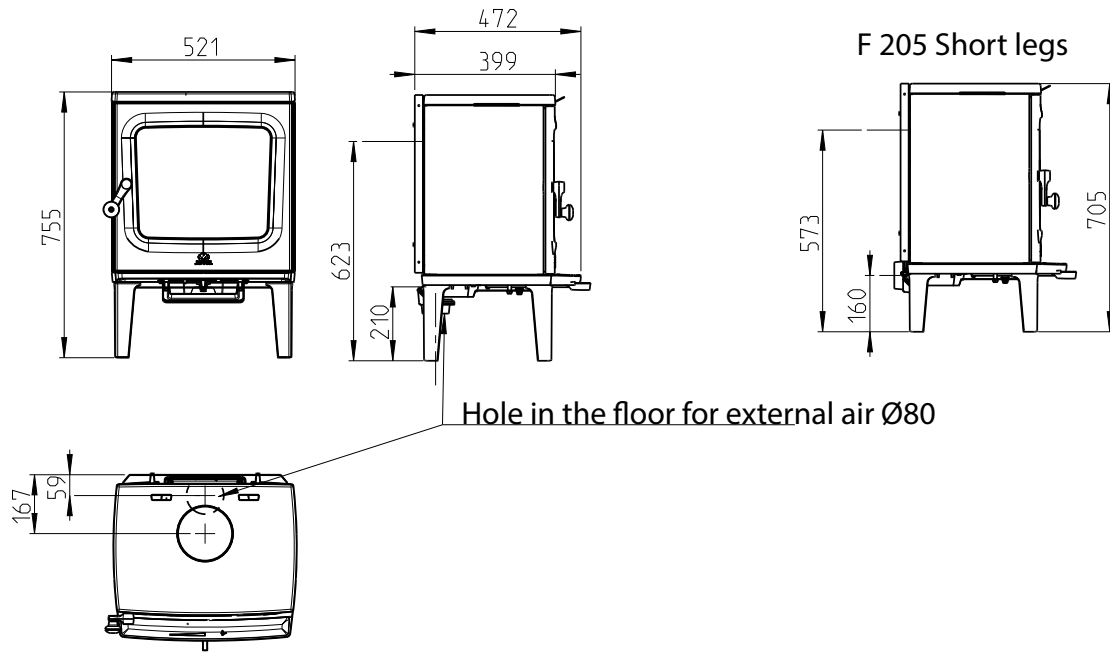
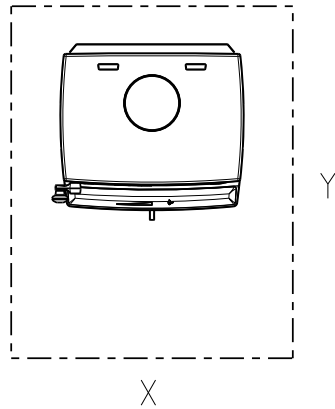
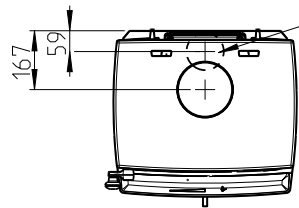


# Jøtul F 205



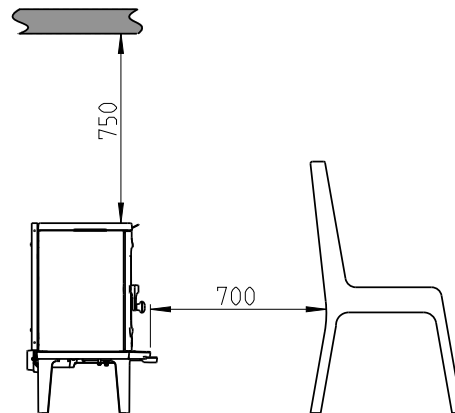
Hole in the floor for external air Ø80



Min. measurements floor plate

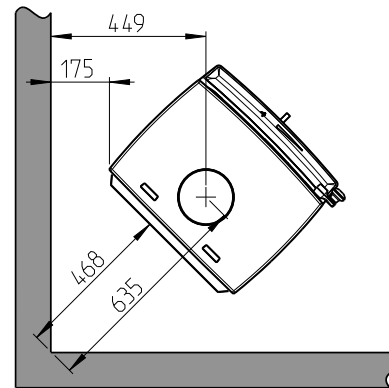
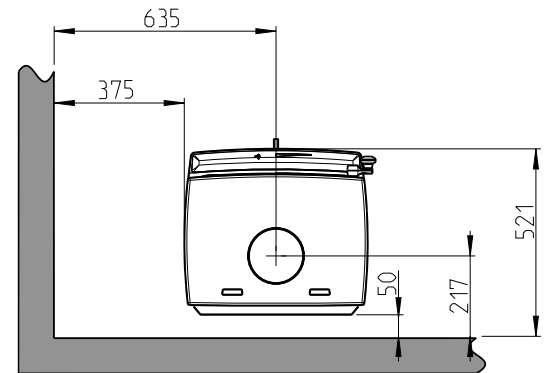
X/Y = According to national laws and regulations

Min. distance to ceiling and furniture




Min. distance to combustible wall

Semi isolated flue pipe/Cover flue pipe all the way down towards the product



 Combustible wall

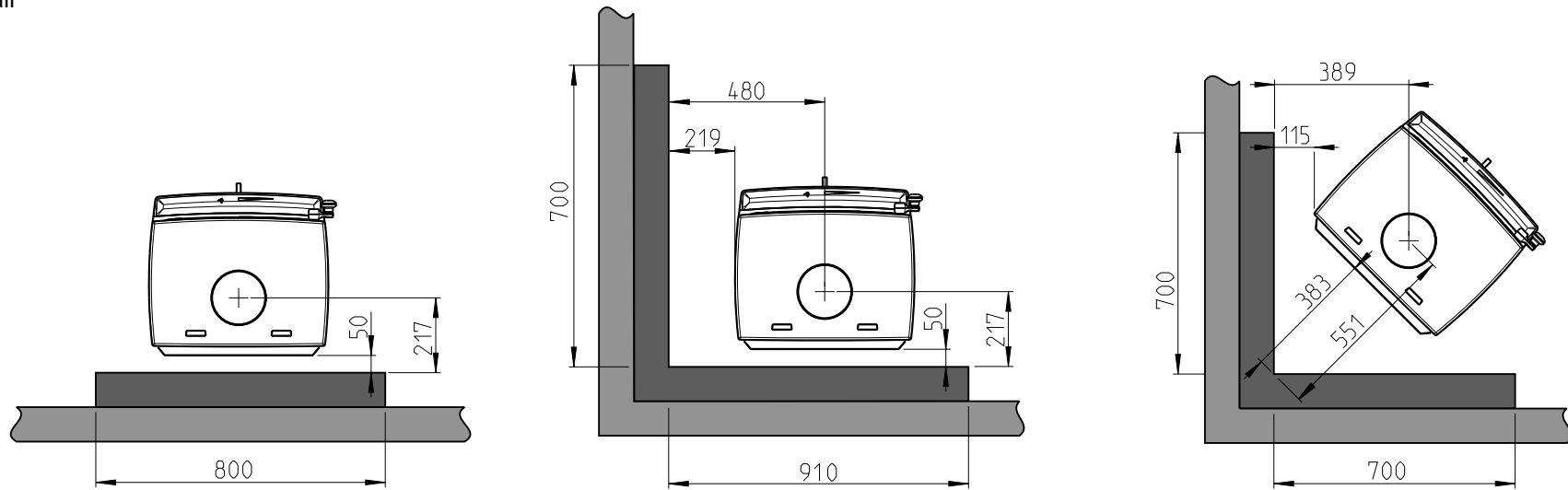
 Firewall (See chapter 3.3 in the manual)

# Jøtul F 205

Min. distance to combustibile wall protected by approved firewall

Semi isolated flue pipe/Cover flue pipe all the way down towards the product

## External firewall



## Integrated firewall

